

# Gallmac WMW115

GALLMAC

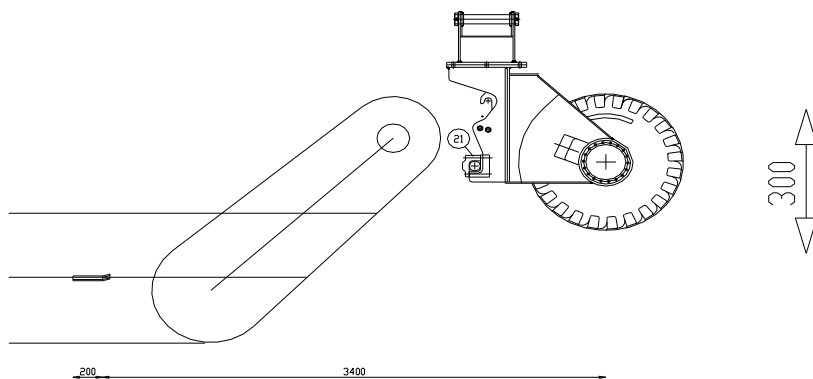
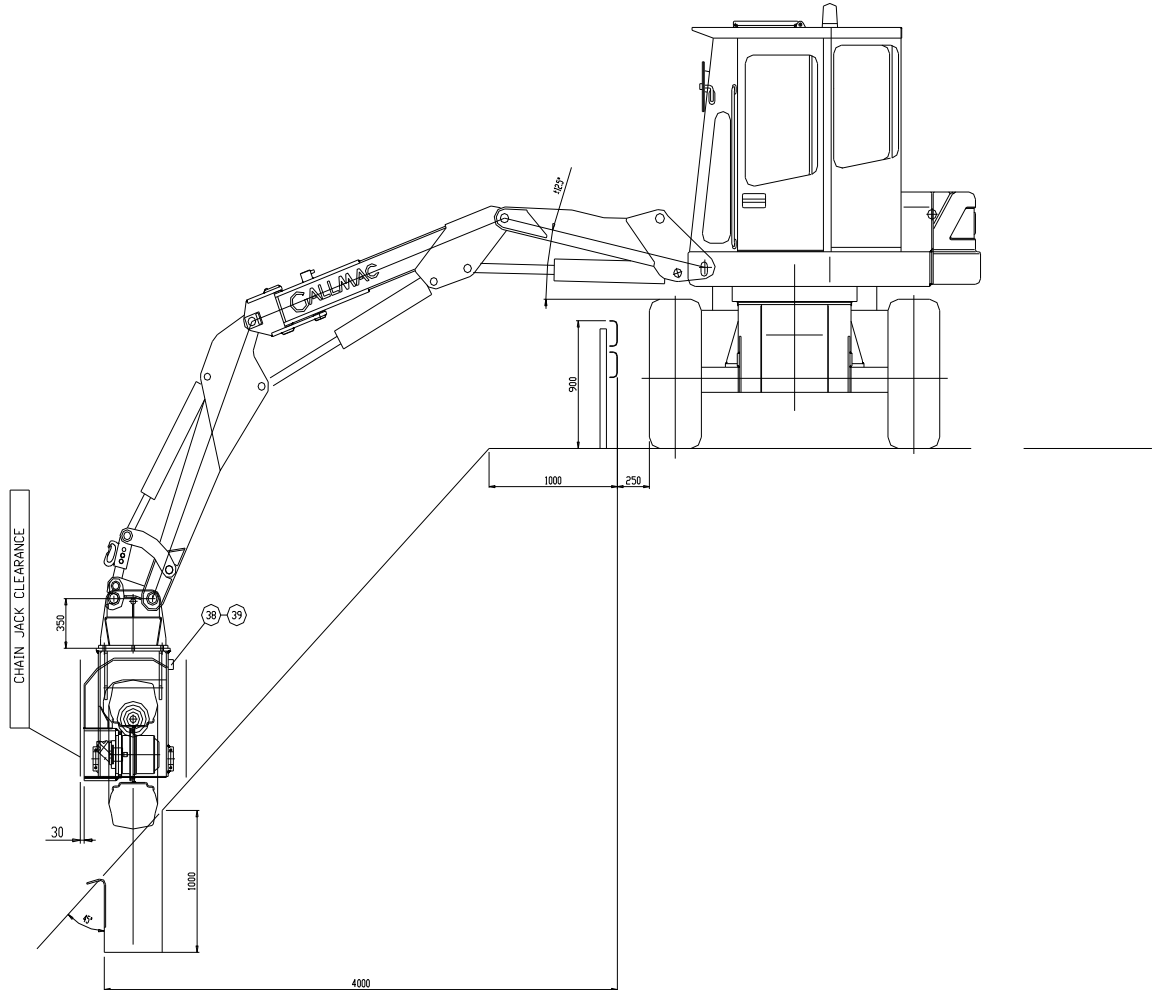
## ***New attachment for dirt digging***

Enterprising Europa presents an exclusive new attachment for its popular Gallmac WMW115. This device is composed by two main parts: the articulated arm and the digging chain frame. This new attachment allows digging in dirt in a wide range of possible position in comparison with the machine itself. With this new possibility the Gallmac WMW115 become even more versatile than before and a leader in urban works.



### Technical description:

The digging frame is composed by a digging chain and a motorized wheel. The most important feature is the synchronism of the wheel with the tool carrier's wheels, that assure the maximum digging performance. Furthermore the super-offset capability ensures the digging operations in most difficult job site conditions.



### Technical data:

Digging width:

18"

Digging depth

48"